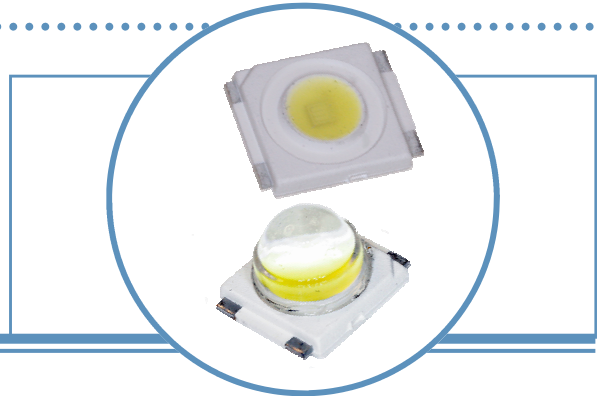


.3-Watt SMD 6x6mm White

OVS3W Series

- Robust energy-efficient design with long operating life
- Low thermal resistance
- Exceptional spatial uniformity
- Optional optics to suit application



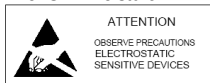
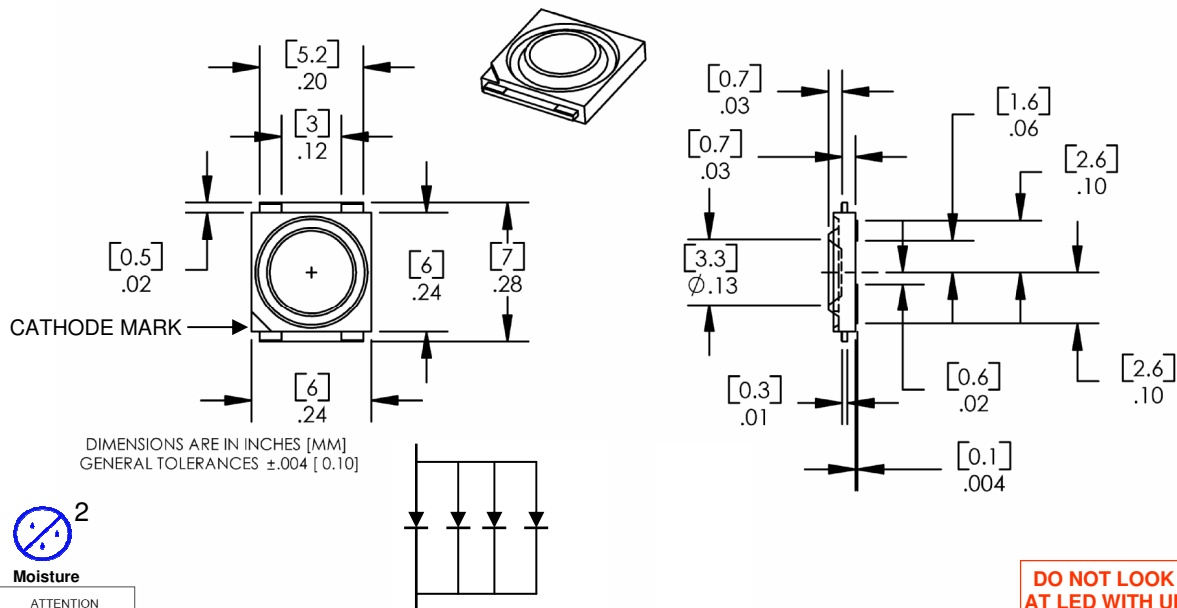
The **OVS3W Series** features energy-efficient packaged LEDs that offer high luminance, and a long operating lifespan. This series includes a flat-lens, ultra-low profile (1.5mm) package with a 120° viewing angle, and a domed lens package with a 60° viewing angle, making them highly suitable for conventional lighting and specialized applications. Optional optics are offered to suit application. Please contact OPTEK for more information.

Applications

- Automotive exterior and interior lighting
- Architectural indoor and outdoor lighting
- General lighting

Part Number	Viewing Angle	Emitted Color	Typical Luminous Flux (lm)	Typical On-Axis Intensity (cd)	Lens
OVS3WBCR4	120°	White	7	3.2	Water Clear/Flat
OVS3WBCR44	60°	White	7	9	Water Clear/Dome

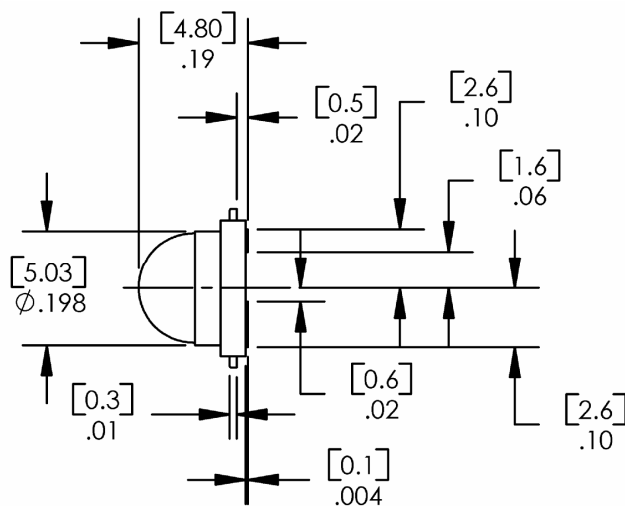
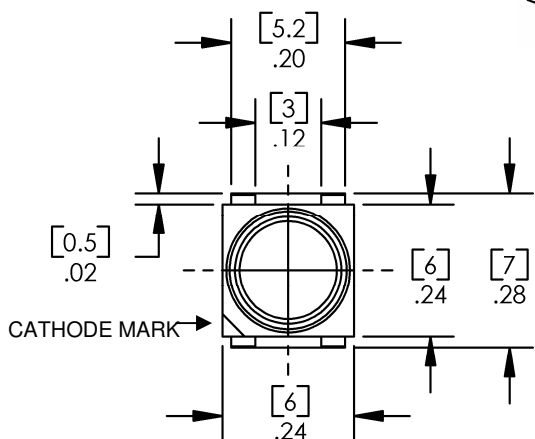
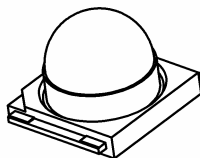
OVS3WBCR4



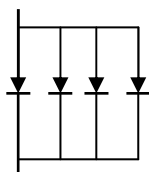
DO NOT LOOK DIRECTLY AT LED WITH UNSHIELDED EYES OR DAMAGE TO RETINA MAY OCCUR.

OPTEK reserves the right to make changes at any time in order to improve design and to supply the best product possible.

OVS3WBCR44



DIMENSIONS ARE IN INCHES [MM]
GENERAL TOLERANCES ±.004 [0.10]



Absolute Maximum Ratings $T_A = 25^\circ\text{C}$

DC Forward Current	120mA
Peak Pulsed Forward Current ¹	500mA
Reverse Voltage	5V
Junction Temperature ²	125°C
Power Dissipation	450mW
Storage and Operating Temperature	-40° ~ +100 °C
ESD Threshold (HBM)	>1000V

Notes:

1. Pulse width $t_p \leq 10\mu\text{s}$, Duty cycle = 0.1
2. Thermal conductivity = 20K/W for white

Optical and Electrical Characteristics—Flat Lens ($I_F = 120 \text{ mA}$, $T_A = 25^\circ \text{ C}$)

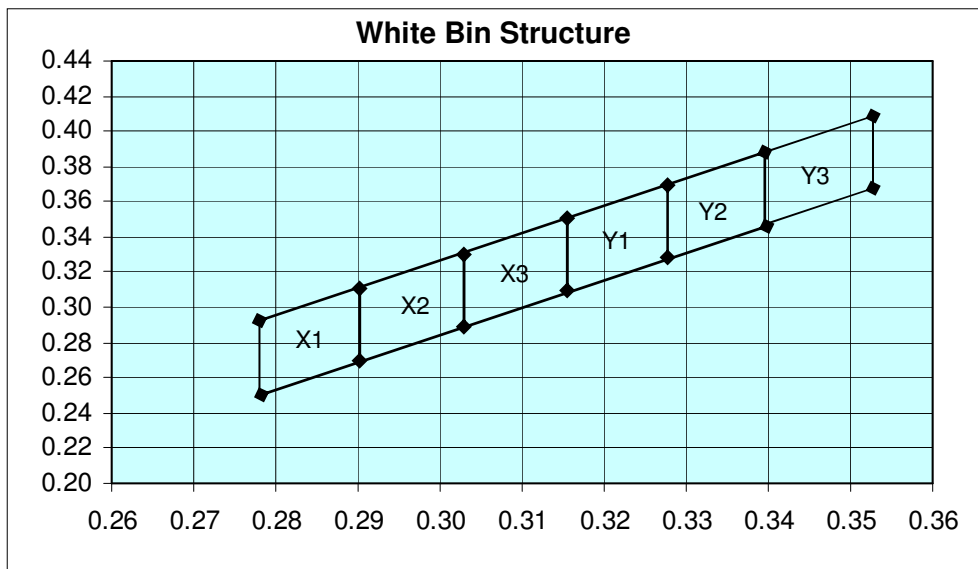
SYMBOL	PARAMETER	MIN	TYP	MAX	UNITS
V_F	Forward Voltage	----	3.6	4.2	V
Φ	Luminous Flux	----	7	----	lm
I_F	Luminous Intensity	2.8	3.2	4.5	cd
I_R	Reverse Current at 5V	----	10	----	μA
$2 \Theta_{1/2}$	50% Power Angle	----	120	----	deg

Optical and Electrical Characteristics—Dome Lens ($I_F = 120 \text{ mA}$, $T_A = 25^\circ \text{ C}$)

SYMBOL	PARAMETER	MIN	TYP	MAX	UNITS
V_F	Forward Voltage	----	3.6	4.0	V
Φ	Luminous Flux	----	7	----	lm
I_V	Luminous Intensity	7	9	14	cd
I_R	Reverse Current at 5V	----	10	----	μA
$2 \Theta_{1/2}$	50% Power Angle	----	60	----	deg

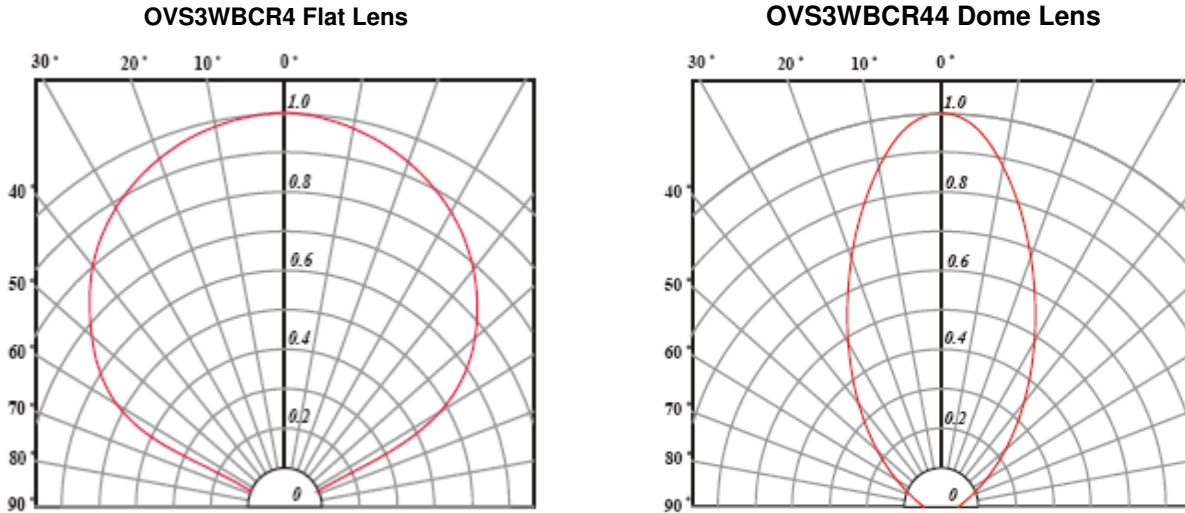
Standard Bins

Lamps are sorted to luminous flux (Φ), chromaticity coordinates, and correlated color temperature (CCT) bins shown. Orders may be filled with any or all bins contained as below.



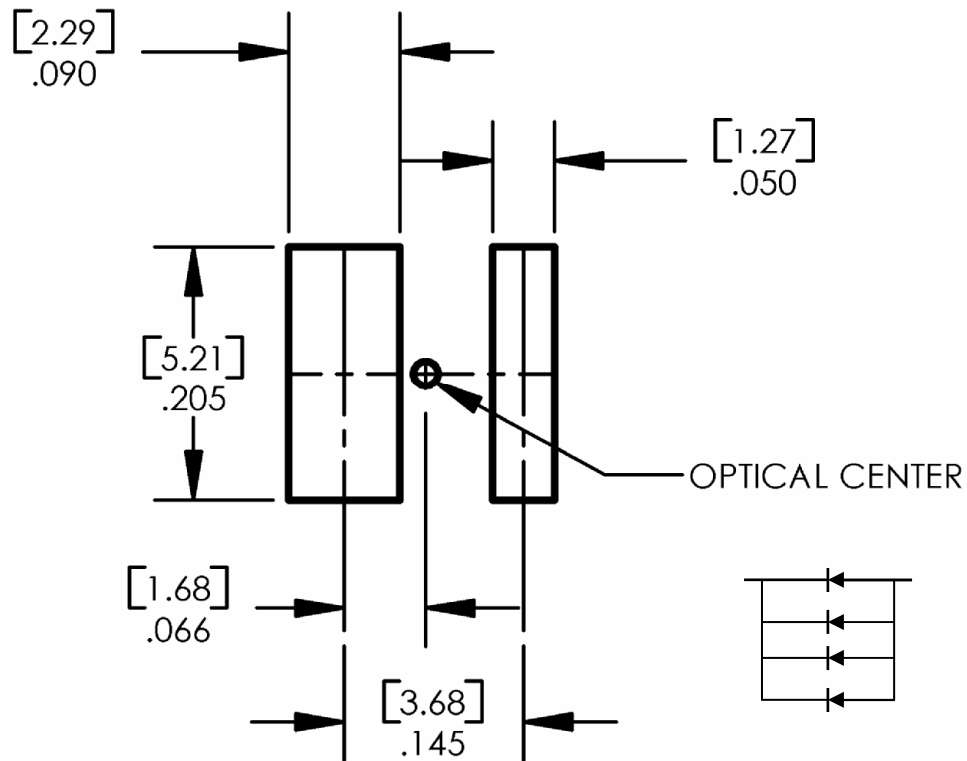
Typical Electro-Optical Characteristics Curves

Radiation Patterns



Solder Pad Design

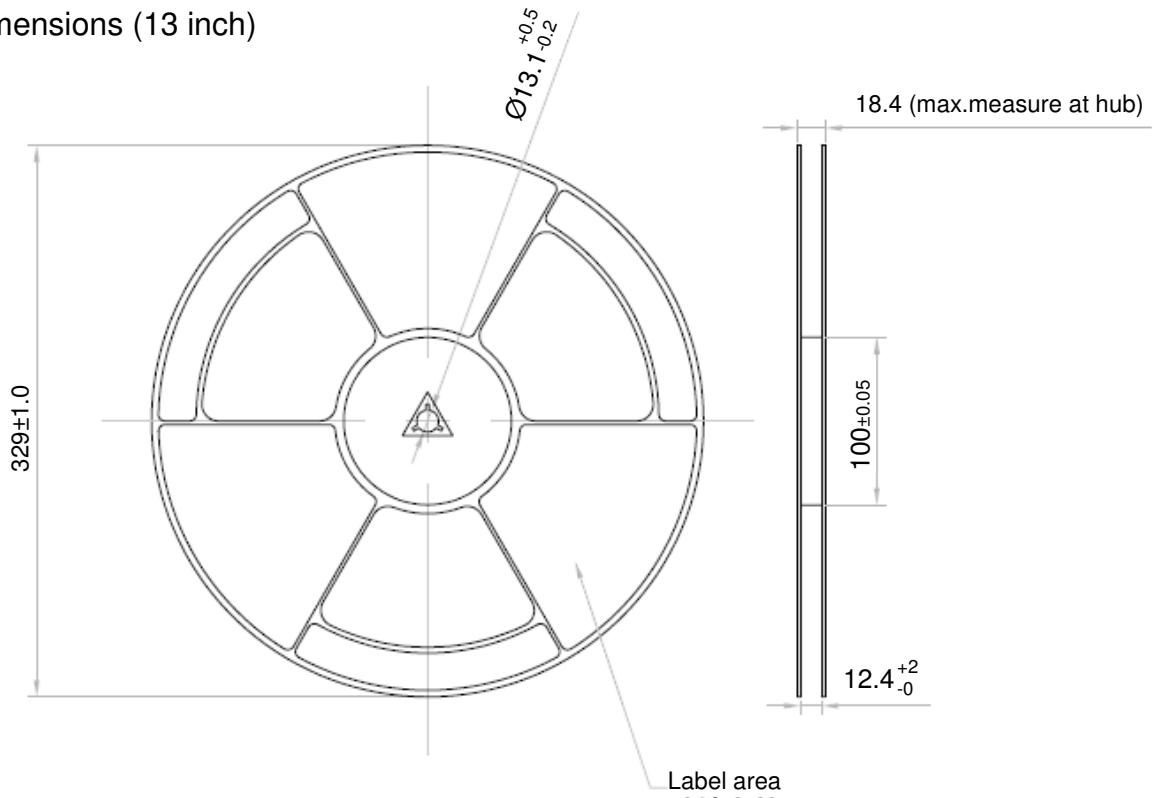
Note: Metal core circuit board (MCPCB) is highly recommended for high density applications.



OPTEK reserves the right to make changes at any time in order to improve design and to supply the best product possible.

.3-Watt SMD 6mm White OVS3W Series

Reel Dimensions (13 inch)



Moisture Resistant Packaging

